

DOOR/REAR DECK SPEAKER

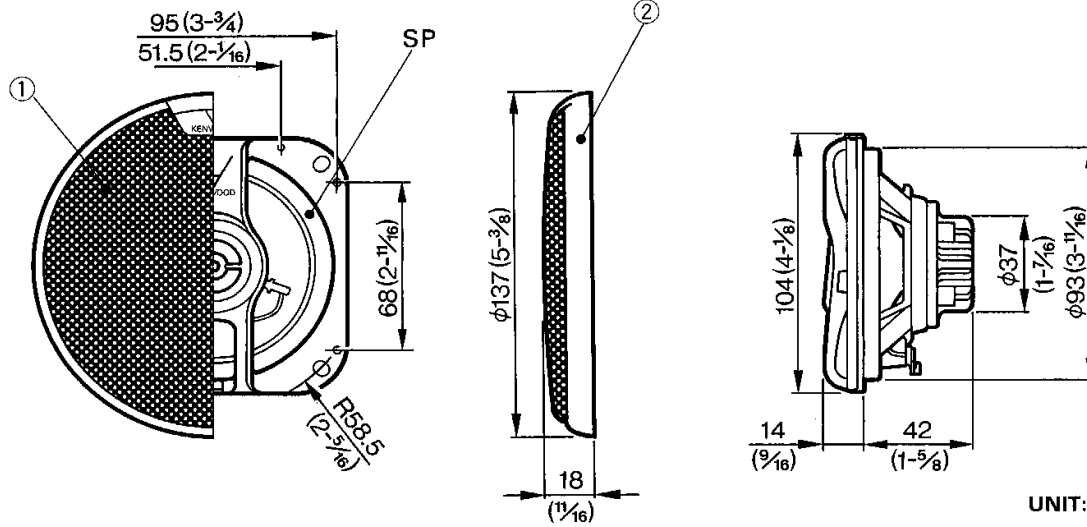
KFC-HQR10

SERVICE MANUAL

KENWOOD

©1996-1 PRINTED IN JAPAN
B51-6959-00 (MC) 1342

EXTERNAL VIEW



UNIT: mm (inch)

PARTS INCLUDED

- ① × 2
- ② 3m(10ft) × 2
- ③ φ4×20 × 8
- ④ × 8
- ⑤ × 1
- ⑥ × 1

SPECIFICATIONS

| | |
|------------------------|---------------------------------------|
| Speakers | |
| Woofer | 104mm(4in) Injection P.P. Cone Type |
| Tweeter | 8g × 2(0.29oz × 2) Neodymium Magnet |
| Peak Power | 25mm(1in) P.P.T.A. Balanced Dome Type |
| Frequency Response | 70 Watts |
| Sensitivity | 45Hz~30,000Hz |
| Impedance | 90dB/W at 1m |
| Net Weight With Grille | 4 Ohms |
| | 460g(1.0lb)/Pair |

Note:

KENWOOD follows a policy continuous advancements in development.
For this reason specifications may be changed without notice.

PARTS LIST

★ New Parts
Parts without Parts No. are not supplied.
Les articles non mentionnés dans le Parts No. ne sont pas fournis.
Teile ohne Parts No. werden nicht geliefert.

| Ref No. | New Parts | Parts No. | Description |
|---------|-----------|-------------|---------------|
| ① | ★ | F09-1133-08 | Protector |
| ② | ★ | B06-0988-08 | Grille |
| ③ | ★ | E30-5293-08 | Speaker cord |
| ④, ⑤ | | N99-1242-08 | Screw set |
| ⑥ | | J69-0111-08 | Adhesive tape |
| SP | ★ | T15-0303-08 | Speaker |